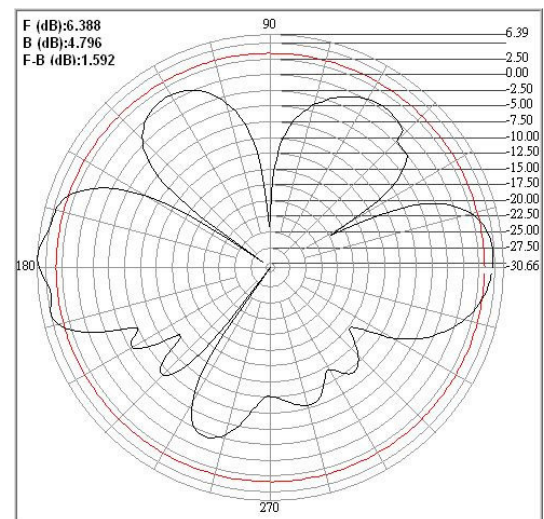
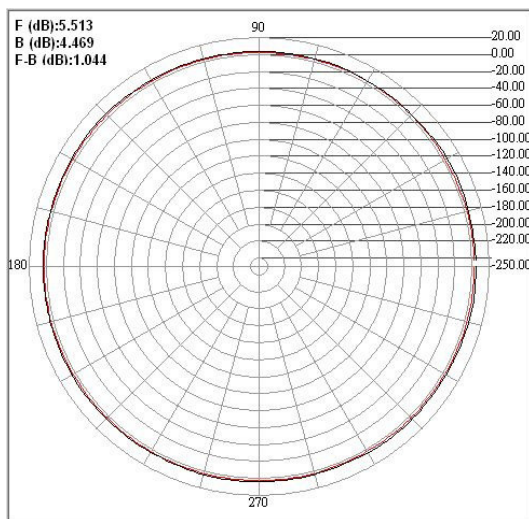
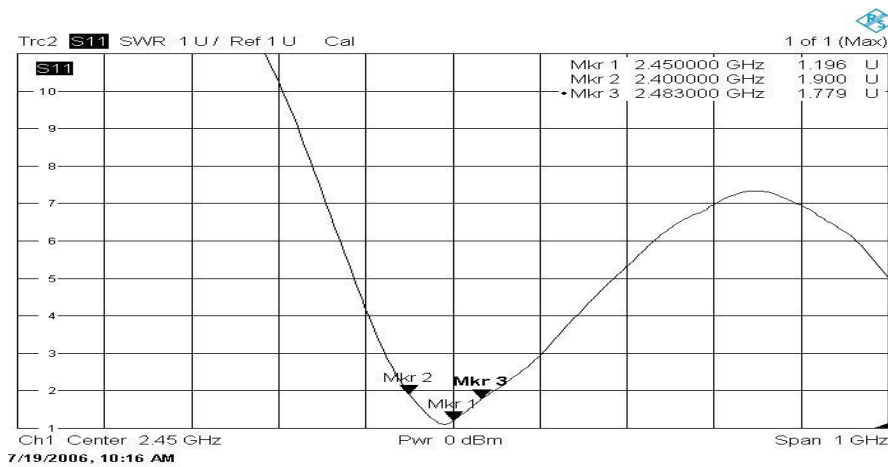


## ***AO2400 – 2.4GHz WiFi / ZIGBEE WALL MOUNTED ANTENNA***

### **Base Station WiFi / Zigbee 5/8λ Antenna**

Frequency: 2.4GHz to 2.485GHz  
 Gain: 5dBi  
 VSWR: Less than 2:1 in all bands  
 Impedance: 50Ω



### **Physical Data**

Gross Dimensions: 380mm x 160mm x 40mm – including mounting bracket  
 Material: Black ABS Radome and brushed stainless steel bracket  
 Operating Temp: -40°C to +85°C  
 Cable Length: Customer Specified RG58  
 Connectors: Customer Specified (usually SMA (m) Reverse Polarity)

The above data is to be used as baseline information only. For a more detailed specification, application support or application approval samples, please contact our technical support help desk on +44(0) 2392327 020. We reserve the right to modify the specifications without prior notice.