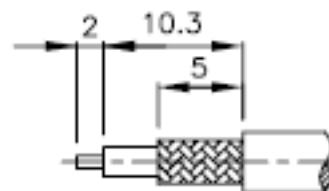
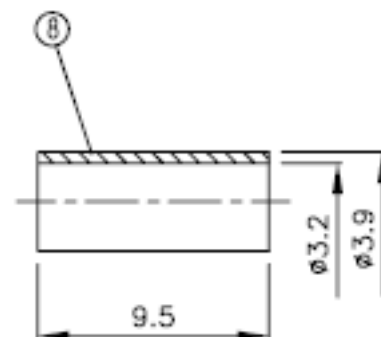
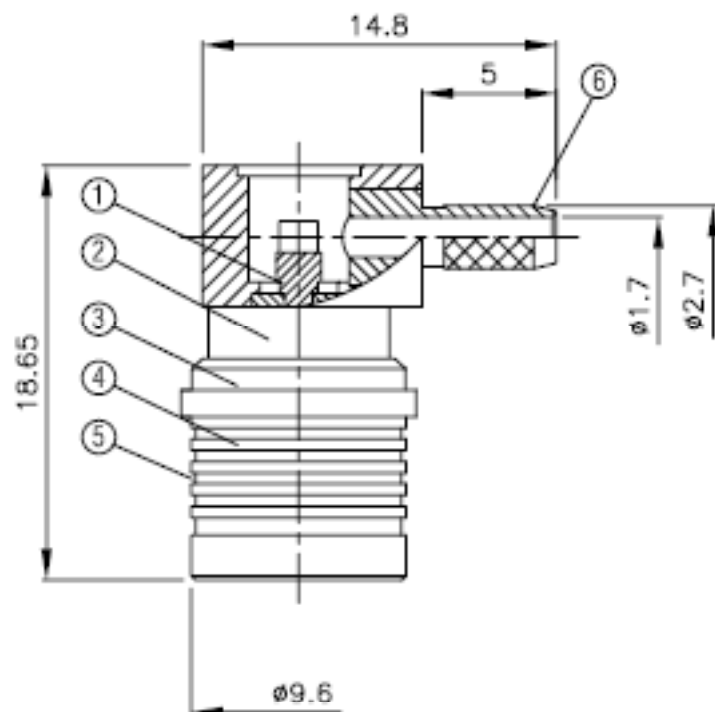
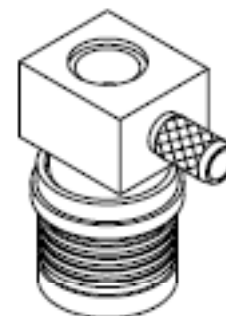


NO	DESCRIPTION	MATERIAL	Q'TY	FINISH	REMARK
1	PIN	BRASS	1	GOLD	P-QSMA0517-G
2	INSULATION	TEFLON	1	TEFLON	I-0357T
3	BODY 1	BRASS	1	NICKEL	B-QSMA0731-N
4	BODY 2	BE CU	1	NICKEL	B-QSMA0732-N
5	BODY 3	BRASS	1	NICKEL	B-QSMA0733-N
6	BODY 3	BRASS	1	NICKEL	B-QSMA0742-N
7	WASHER	BRASS	1	NICKEL	W-0061-N
8	RING	BRASS	1	NICKEL	R-0002-N



(Recommended Stripping Dimension)



**ARMOUR AUTOMOTIVE (CTI)**

TITLE QUICK SMA RIGHT ANGLE MALE CRIMP FOR RG-316/U

PART NO. **C0503\_5/Q**

DRAWING NO. QSMA 02LV1 TGN

DRAWN MARY DATE 93.06.24

CHECKED 蘇志欣 DATE

Q.A. 蘇姿潔 DATE

APPROVAL 徐燦霖 DATE

REVISION DATE

DIMENSIONS ARE IN MILLIMETERS

UNLESS OTHERWISE SPECIFIED TOLERANCE

0.5-5=±0.2 120-315=±1

5-30=±0.4 315-1000=±1.6

30-120±0.6 1000-2000=±2.4

SCALE 4:1 SIZE A

REVISION

DESCRIPTION ENGINEER